

Intelligent, versatile Colour A4 multifunctional with flexible connectivity

The imageRUNNER ADVANCE C355i offers much of the functionality of an A3 device, making them a great addition to any busy working groups who require a compact solution.

Workflow Efficiency

- Intuitive user interface with a large, colour touchscreen provides users with smartphone-like usability, making navigation a breeze.
- Intelligent feeder allows effortless, rapid scanning with features like multi-sheet feed detection and skip blank originals.
- My ADVANCE enables a unique, personal experience tailored to meet each user's workflow needs.
- Settings, such as display language, initial log-in screen, and accessibility options, can be synchronised across multiple devices for consistency.
- Canon's MEAP platform provides process optimisation, by integrating with a range of powerful document, capture and output management solutions.
- Scalable support for mobile where users can connect directly to the device with Direct Access Point. Capture, scan or print documents easily with the Canon Print Business app.
- Scan and convert documents through a single-pass duplexing document feeder that holds up to 100 originals.
- Intelligent Recovery wakes device from sleep mode when user is approaching device via motion sensor technology.

Cost Management

- The ability to apply print policies, monitor output, and restrict usage by user helps reduce unnecessary printing, resulting in lower total document cost.
- Tight integration with output management solutions, such as uniFLOW, provides the ability to carry out detailed tracking, reporting, and cost analysis.
- Quality and reliability, combined with remote diagnostics and assistance, can help reduce costs by minimising downtime and time spent by IT resolving issues.
- Consistent user operation combined with remote and centralised fleet management can help simplify IT management of devices and entire fleets.



Security

- Control who has access to the device with Picture Login authentication.
- Prevent unauthorised distribution of sensitive information with an array of standard and optional document security features.
- Ensure information privacy and security across your network with IPsec, port filtering capabilities, and SSL technology.
- Secure Print and Mailbox Simple enhance document confidentiality.



Device and Fleet Management Efficiency

- Synchronise personalised user settings across multiple devices through My ADVANCE Sync.
- Canon's device management tools give you a centralised point of control across your entire fleet, upgrade devices remotely, check device and consumables status and capture meter readings.
- Standard PCL and Adobe PostScript print driver allows seamless integration with enterprise applications.
- Remote diagnostics allow timely, accurate and effective resolution.

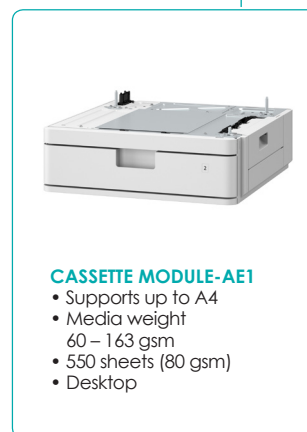
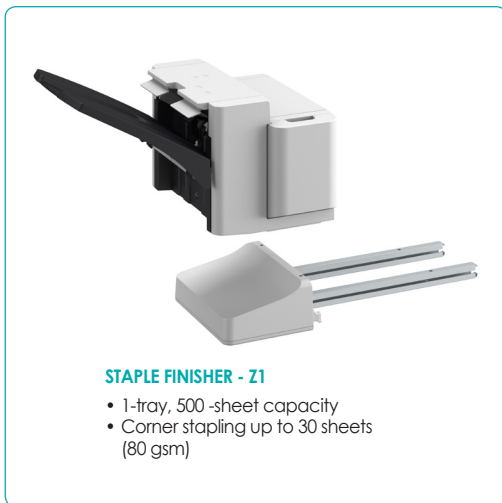
Reliability

- V² (Vivid & Vibrant) imaging technology ensures high quality printouts that impress time after time.
- Supreme transferability of toner and stable reproduction of colours onto a wide range of media, even at large volumes.
- State-of-the-art imaging technologies and toner allow for consistently striking images with real 1,200 dpi. print resolution.
- Designed to achieve maximum uptime with status notifications to help keep supplies replenished. These models also include intuitive user maintenance videos and the ability to replace toner on the fly.
- Robust design and engine, with up to 2,300 sheet paper capacity, perfect for handling workloads of busy workgroups.

Sustainability

- The pQ toner features low-heat on demand fusing resulting in faster prints, lower power use and a greener environment.
- Minimise waste with 2-sided printing, secure printing, and the ability to hold print jobs, preview them and change print settings at the device, achieving the desired results at the first time of printing.
- Incorporates sustainable design, with the use of recycled materials and bio-based plastic, and a focus on minimising environmental impact.
- Consumes as little as 0.8W in sleep mode.

Main Configuration Options



MAIN UNIT

Type
Colour Laser Multifunctional

Core Function
Print, Copy, Scan, Send, Store and Optional Fax

Processor
Canon Dual Custom Processor (Shared)

Control Panel
Standard : 10.1 inch TFT LCD WSVGA Colour Touch Panel

Memory
Standard : 3.0GB RAM

Hard Disk Drive
Standard : 250GB

Interface Connection
Network Standard: 1000Base-T/100Base-TX/10Base-T,
Wireless LAN (IEEE 802.11 b/g/n)
Optional : NFC, Bluetooth
Others Standard: USB 2.0 x1 (Host), USB 3.0 x1 (Host),
USB 2.0 x1 (Device)
Optional : Serial Interface, Copy Control
Interface

Paper Capacity (A4, 80gsm)
Standard : 650 Sheets
Maximum : 2,300 Sheets

Paper Sources (A4, 80gsm)
Standard : 550-sheet Paper Cassettes
100-sheet Multi-purpose tray
Optional : **CASSETTE MODULE-AE1:**
550-sheet Paper Cassette
CASSETTE FEEDING UNIT-AJ1:
550-sheet Paper Cassette
CASSETTE FEEDING UNIT-AK1:
550-sheet x 3 Paper Cassettes
Maximum : 2,300 Sheets

Paper Output Capacity (A4, 80gsm)
Standard : 250 Sheets
Maximum : 500 Sheets (with STAPLE FINISHER-Z1)

Finishing Capabilities
Standard : Collate, Group
With STAPLE FINISHER-Z1: Collate, Group, Offset, Staple

Supported Media Types
Cassettes 1:
Thin paper, Plain paper, Thick paper, Colour paper,
Recycled paper, Pre-punched paper, Bond Paper,
Envelope

Multi-Purpose Tray:
Thin paper, Plain paper, Thick paper, Colour paper,
Recycled paper, Pre-punched paper, Transparency*,
Label, Bond paper, Envelope

CASSETTE MODULE-AE1/ FEEDING UNIT-AJ1(2):
Thin paper, Plain paper, Thick paper, Colour paper,
Recycled paper, Pre-punched paper, Bond Paper

CASSETTE FEEDING UNIT- AK1 (3/4) Standard size:
Thin paper, Plain paper, Thick paper, Colour paper,
Recycled paper, Pre-punched paper, Bond Paper

*Use only A4 transparencies made especially for multi-functional device

Supported Media Sizes
Cassette 1:
Standard size : A4, B5, A5, Foolscap, India Legal, F4A
Envelopes (No. 10 (COM 10), Monarch, ISO-C5, DL)
Custom Size: 98 x 190.5 mm to 216 x 355.6 mm

CASSETTE MODULE-AE1/ FEEDING UNIT-AJ1(2):
Standard size: A4, B5, A5, Foolscap, India Legal, F4A,
Custom size: 98 x 190.5 mm up to 216 x 355.6 m

CASSETTE FEEDING UNIT- AK1 (3/4)
Standard size: A4, B5, A5, Foolscap, India Legal, F4A
Custom size: 98 x 190.5 mm up to 216 x 355.6 mm

Multi-Purpose Tray:
Standard size: A4, B5, A5, Foolscap, India Legal, F4A,
Custom Size: Min. 98 x 148 mm to 216 x 355.6 mm
Envelopes: No.10 (COM10), Monarch, ISO-C5, DL
Envelope custom size: 98 x 148 mm to 216 x 355.6 mm

Supported Media Weights
CASSETTES : 60 to 163 gsm
MULTI-PURPOSE TRAY : 60 to 220 gsm
DUPLEX : 60 to 163 gsm

Warm-up Time
From Power On* : 30 Seconds or Less
*Time between device power-on and when the start key is enabled
(Force Hold print)

From Deep Sleep Mode : 10 Seconds or Less
Quick Startup Mode : 4 seconds or less**
** If <Quick Startup Settings for Main Power> is set to "On", it takes 4
seconds until the key operation on the touch panel display is available
after turning on the main power of the machine. Depending on the
situations, the machine does not startup quickly.

Dimensions (W x D x H)
511 x 651 x 639mm

Installation Space (W x D)
Basic : 852 mm x 908 mm
(Multi-purpose tray open + Cassette
Drawers open)
Fully : 1,407 mm x 908 mm (When attach with
Configured STAPLE FINISHER-Z1 + Multi-purpose tray
open + Cassette Drawers open)

Weight including the toner bottle
Approx. 50kg

Print Specifications

Printing Method
Colour laser beam printing

Print Speed
35 ppm (A4)

Print Resolution
9,600 dpi equivalent x 600 dpi (600 dpi mode)
1200 dpi x 1200 dpi equivalent (1200dpi mode)

Page Description Languages
Standard: UFR II, PCL6, Adobe PS 3

Double Sided Printing
Automatic (Standard)

Direct Print
Direct printing available from USB memory key,
Advanced box, Remote UI and Web Access*
Supported File Types: PDF, TIFF, JPEG, XPS
*Only PDF print from websites is supported.

Fonfs
PCL fonts: 93 Roman, 10 Bitmap fonts, 2 OCR fonts,
Andalé Mono WT J/K/S/T* (Japanese, Korean,
Simplified and Traditional Chinese),
Barcode fonts**
*Requires optional PCL INTERNATIONAL FONT SET-A.1
**Requires optional BARCODE PRINTING KIT-D.1
PS fonts: 136 Roman

Operating System
UFR II: Windows Vista/Server 2008/Windows 7/Server 2008
R2/ Windows 8/Server 2012/Windows 8.1/Server
2012 R2/ Windows 10, MAC OS X (10.6.8 or later)
PCL: Windows Vista/Server 2008/Windows 7/Server 2008
R2/ Windows 8/Server 2012/Windows 8.1/Server
2012 R2/ Windows 10
PS: Windows Vista/Server 2008/Windows 7/Server 2008
R2/ Windows 8/Server 2012/Windows 8.1/Server 2012
R2/ Windows 10, MAC OS X (10.6.8 or later)
PPD: MAC OS 9.1 or later, MAC OS X (10.3.9 or later),
Windows Vista/Windows 7/Windows 8/Windows 8.1/
Windows 10

Copy Specifications

Copy Speed (BW/Colour)
35 ppm (A4)

First-Copy-Out Time (A4)*
20 °C to 30 °C Environment*
Approx. 5.1/6.9 seconds or less

Copy Resolution
Reading : 600 dpi x 600 dpi
Printing : Up to 2400dpi equivalent x 600dpi

Multiple Copies
Up to 999 copies

Copy Exposure
Automatic or Manual (11 Levels)

Magnification
25% - 400% (1% Increments)

Preset Reductions
25%, 50%, 61%, 70%, 81%, 86%

Preset Enlargements
115%, 122%, 141%, 200%, 400%

Scan Specifications

Type
Single-pass Duplexing Automatic Document Feeder

Document Feeder Paper Capacity
100 Sheets (80 gsm)

Document Feeder Supported Media Sizes
A4, A5, A6, B5

Document Feeder Supported Media Weights
Single-sided scanning: 50 to 128 gsm (BW)
64 to 128 gsm (CL)

Double-sided scanning: 50 to 128 gsm (BW)
64 to 128 gsm (CL)

Pull Scan Spec
Color Network ScanGear2. For both Twain and WIA
Supported OS: Windows Vista/7/8/8.1/10/ Server 2008/
Server 2008 R2/Server 2012/Server 2012 R2

Scan Resolution
100 x 100 dpi, 150 x 150 dpi, 200 x 100 dpi, 200 x 200 dpi,
200 x 400 dpi, 300 x 300 dpi, 400 x 400 dpi, 600 x 600 dpi

Platen Acceptable Originals
Platen: Sheet, Book, 3-Dimensional Objects [Up to 2kg]
Paper size: A4, A5, A6, B5

Scan Speed (A4)
SP DADF-A1:
1-sided Scanning (BW/CL): 50 ipm (300dpi)/50 ipm (600 dpi)
2-sided Scanning (BW/CL): 100 ipm (300dpi)/100 ipm (600 dpi)
2-sided Scanning (Colour): 160 ipm (300dpi)/80 ipm (600 dpi)

Double sided scanning
2-sided to 2-sided (Automatic)

Send Specifications

Optional/ standard
Standard on all models

Destination
E-mail/Internet FAX (SMTP), SMB, FTP, WebDAV, Mail Box,
Super G3 FAX(Optional), IP Fax(Optional)

Colour Mode
Automatic-Colour Select (Full Colour/Grayscale),
Automatic-Colour Select(Full Colour/Black-and-White),
Full colour, Grayscale, and Black-and-White

Address Book
LDAP (2,000)/Local (1,600)/One-touch (200)

Send Resolution
100 x 100 dpi, 150 x 150 dpi, 200 x 100 dpi, 200 x 200 dpi,
200 x 400 dpi, 300 x 300 dpi, 400 x 400 dpi, 600 x 600 dpi

Communication Protocol
File : FTP, SMB 3.0, WebDAV
E-mail/I-Fax : SMTP, POP3, I-Fax (Simple, Full)

File Format
Standard : JPEG, TIFF, PDF/XPS (Compact),
PDF (PDF/A-1b, Optimize for Web, Apply Policy)
Optional : PDF (Trace&Smooth, Encrypted), PDF/XPS
(Digital Signature, Searchable),
Office Open XML (Powerpoint, Word)

Fax Specifications

Optional/ Standard Optional on all models

Maximum Number of Connection Lines 2

Modem Speed Super G3: 33.6 kbps
G3 : 14.4 kbps

Compression Method MH, MR, MMR, JBIG

Resolution 400 x 400 dpi, 200 x 400 dpi,
200 x 200 dpi, 200 x 100 dpi

Sending/Recording Size A4, B5*, A5* and A6*
* Sent as A4

FAX Memory Up to 30,000 pages

Speed Dials Max. 200

Group Dials/Destinations Max. 199 dials

Sequential Broadcast Max. 256 addresses

Memory Backup Yes

Store Specifications

Mail Box (Number supported)
100 User Inboxes, 1 Memory RX Inbox,
50 Confidential Fax Inboxes
30,000 Maximum Pages Stored

Advanced Box
Communication Protocol: SMB or WebDAV
Supported Client PC: Windows (Windows Vista/7/8/8.1/10)
Concurrent Connections (Max.): SMB: 64, WebDAV: 3
(Active Sessions)

Advanced Box Available Disc Space
Approx. 16GB (Standard HDD)

Memory Media
Standard: USB Memory

Security Specifications

Authentication

Standard : Picture Login Authentication, User Authentication, Department ID Authentication, (Device and Function Level Login), Access Management System

Optional: My Print Anywhere secure print (Requires uniFLOW)

Data

Standard: Trusted Platform Module (TPM), Hard Disk Password Lock, Hard Disk Drive Erase, Hard Disk Drive Encryption (FIPS 140-2 Validated), Mail Box Password Protection

Optional : Hard Disk Drive Mirroring, Hard Disk Drive removal, IEEE 2600.2 Common Criteria Certification.

Network

Standard : IP/Mac Address Filtering, IPSEC, TLS Encrypted Communication, SNMP V3.0, IEEE 802.1X, IPv6, SMTP Authentication, POP Authentication before SMTP

Document

Standard : Secure Print, Force Hold Print

Optional : Encrypted PDF, Encrypted Secure Print, User and Device Signatures, Secure Watermarks, Document Scan Lock

Environmental Specifications

Operating Environment

Temperature: 10 to 30 °C

Humidity: 20 to 80 % RH (no condensation)

Power Requirements

220-240V (±10 %), 50/60Hz (±2 Hz), 3.9A

Power Consumption

Maximum: 1.5 kW

Standby: Approx. 40.3 W*

Sleep mode: Approx. 0.8 W**

*Reference Value

**0.9W sleep mode is not available in all circumstances due to certain settings.

Paper Supply Options

PAPER SUPPLYING UNIT

Cassette Module-AE1

Paper Size : A4, B5, A5
 Custom size : 98 x 190.5 mm to 216 x 355.6 mm
 Paper Weight : 60 to 163 gsm
 Paper Capacity : 550 sheets (80 gsm)
 Power Source : From the Main Unit
 Dimensions (WxDxH) : 511 x 508 x 159 mm**
 Weight : Approx. 10 kg

**When attached with the Main Unit

Cassette Feeding Unit-AJ1

Paper Size : A4, B5, A5
 Custom size : 98 x 190.5 mm to 216 x 355.6 mm
 Paper Weight : 60 to 163 gsm
 Paper Capacity : 550 sheets (80 gsm)
 Power Source : From the Main Unit
 Dimensions (WxDxH) : 511 x 508 x 425 mm**
 Weight : Approx. 16 kg

**When attached with the Main Unit

Cassette Feeding Unit-AK1

Paper Size : A4, B5, A5
 Custom size : 98 x 190.5 mm to 216 x 355.6 mm
 Paper Weight : 60 to 163 gsm
 Paper Capacity : 3 X 550 sheets (80 gsm)
 Power Source : From the Main Unit
 Dimensions (WxDxH) : 511 x 508 x 425 mm**
 Weight : Approx. 19 kg

**When attached with the Main Unit

Output Options

STAPLE FINISHER

STAPLE FINISHER-Z1 (External)

Number of Trays : 1
 Tray Capacity : 500 sheets
 Paper Weight : 60 to 220 g/m²
 Staple Position : Corner
 Staple Capacity : 30 sheets* (up to 105 gsm)
 Dimensions (WxDxH) : 555 x 459 x 301 mm**
 Weight : Approx. 14 kg

*Includes 2 cover page (220gsm)

** When attached with Main Unit

Software and Printer Management

Remote management tools

eMaintenance: Compatible with eMaintenance services via embedded RDS (Enables meter capture, automatic consumables management, remote diagnostics and reporting for service providers to offer efficient, fast and proactive maintenance)

Content Delivery System: Allows the Remote distribution of firmware, iR options and MEAP applications; Remote User Interface (RUI) Web-based interface to each device that helps to provide remote device management and control.

iW Management Console: Server-based software for centralised management of a fleet of devices (includes monitoring or consumables, status monitoring and alerts, distribution of address books, configuration settings, firmware and MEAP applications, meter capture and reporting, driver and resource management)

Scanning software

Network ScanGear: TWAIN-compliant scanner driver that enables computers on a network to use the pull scan functionality of the device.

Platform

MEAP (Multifunction Embedded Application Platform): A powerful JAVA Embedded Platform for Canon devices which provides tight coupling between a range of software solutions and the device.

Document Publishing

iW DESKTOP: Powerful print publishing software which easily combines documents from different sources and file formats, applies finishing with preview and templates to create professional looking documents. Includes PDF creation, annotation and compression capabilities for simple digital workflows such as proofing and authorization.

Hardware Accessories

Card Readers

MICARD PLUS PROXIMITY CARD READER
 COPY CARD READER-F1
 COPY CARD READER ATTACHMENT-B5
 IC CARD READER ATTACHMENT-A1
 IC CARD READER BOX-D1

System and Controller Options

Print Accessories

PCL INTERNATIONAL FONT SET-A1
 PCL ASIAN FONT SET-A1

Fax Accessories

Super G3 FAX Board-AT1 Super G3
 2nd Line Fax Board-AT1
 Remote Fax-AT1IP FAX Expansion Kit-B1

Security Options

Document Security

DOCUMENT SCAN LOCK KIT-B1
 SECURE WATERMARK-B1
 ENCRYPTED PRINTING SOFTWARE-D1
 UNIVERSAL SEND DIGITAL USER SIGNATURE KIT-C1
 UNIVERSAL SEND SECURITY FEATURE SET-D1

Other Options

Accessibility Accessories

ADF ACCESS HANDLE-A1
 VOICE GUIDANCE KIT-G1
 VOICE OPERATION KIT-D1

Consumables

NPG-65 TONER BK/C/M/Y
 NPG-65 DRUM BK/C/M/Y
 STAMP INK CARTRIDGE-C1
 STAPLE-P1
 STAPLE CARTRIDGE-Y1

To arrange for a demonstration, simply contact any of our offices below.

SOUTH & SOUTHEAST ASIA REGIONAL HEADQUARTERS

Canon Singapore Pte. Ltd. | 1 Fusionopolis Place #15-01 Galaxis Singapore 138522
 Tel: 65-6799 8888 | Fax: 65-799-8882 | www.canon-asia.com | www.canon.com.sg



Partner / Dealer Stamp

This document is for information purpose only and the contents are subject to change without notice. Product options, name and availability may vary by regions. Nothing in this document should be construed as a warranty. We expressly disclaim any liability or contractual obligations with respect to this document.

Canon, imageRUNNER, imageRUNNER ADVANCE, imageCHIP, RAPID Fusing System, MEAP, eMaintenance, iW, Business can be simple and get Smart get genuine are trademarks of Canon Inc. and/or its affiliates. "MEAP" is a trademark of CANON Inc., referring to an "application platform" for Canon multifunction and single function printers. Other names may be the trademarks of their respective owners. uniFLOW, eCopy and Therefore are independent party software distributed by Canon Singapore Pte Ltd.

Adobe, PostScript, PostScript 3 and the PostScript logo are trademarks of Adobe Systems Incorporated

0206W043 © 2017 Canon Singapore Pte. Ltd.
 All rights reserved. Printed in Singapore.